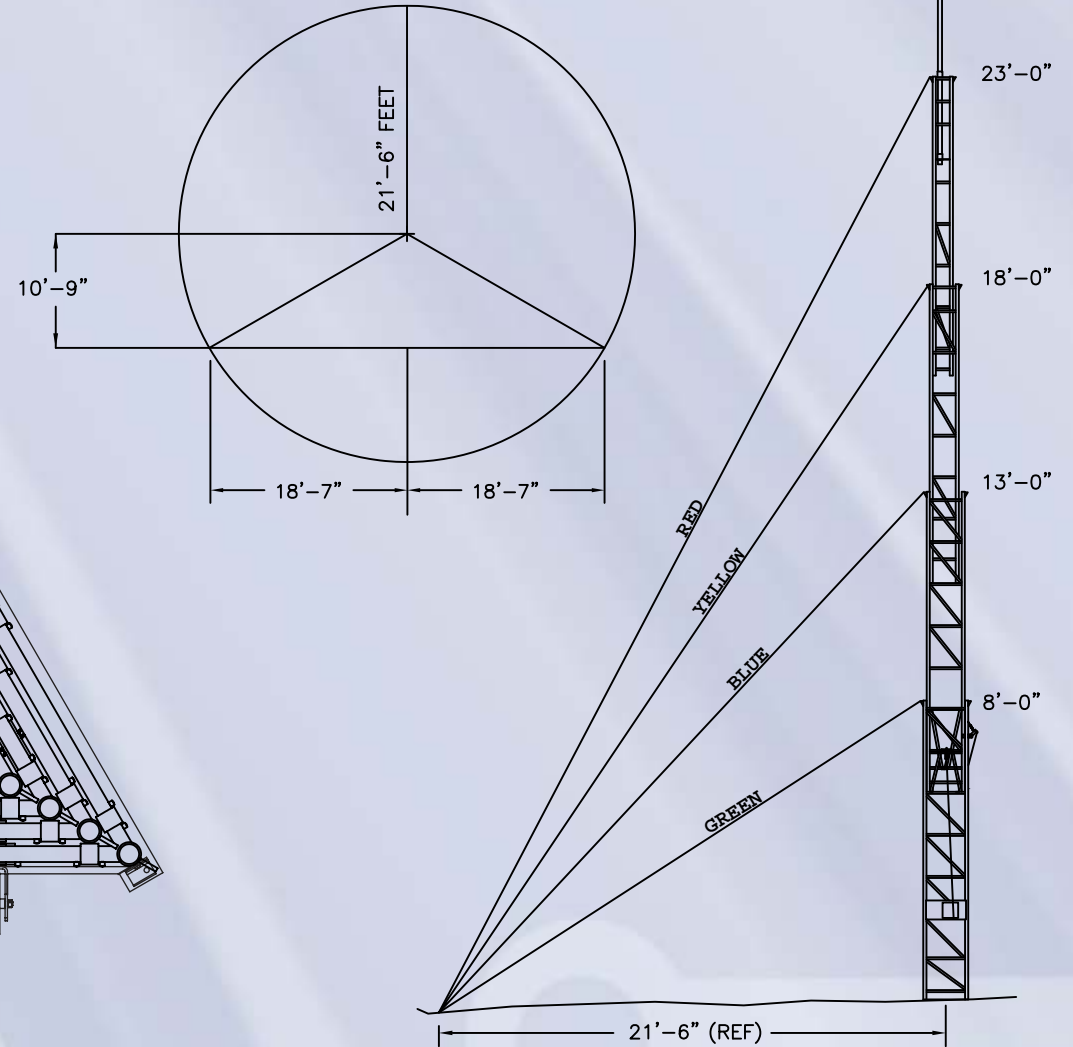
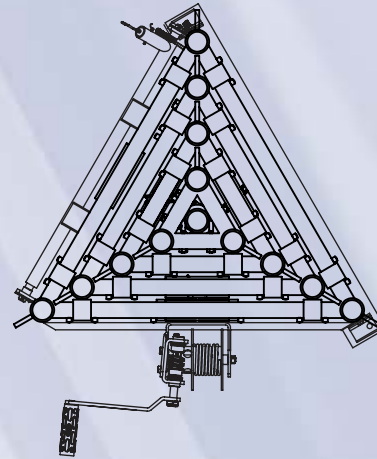
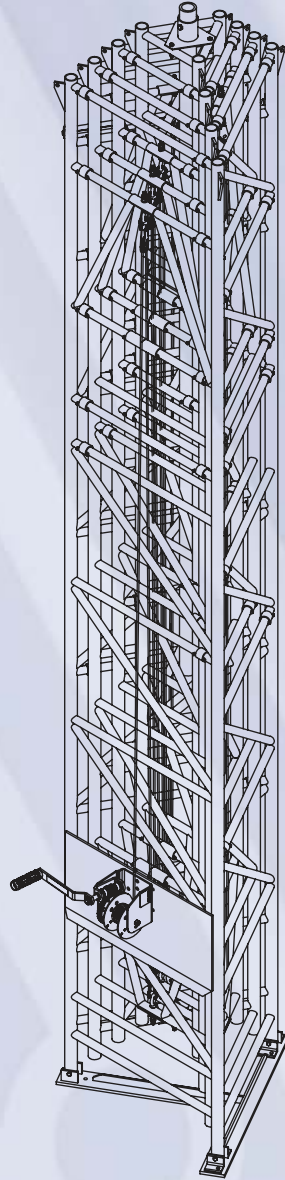


<b>TOWER MODEL</b>	<b>T-125</b>
<b>TOWER CONSTRUCTION</b>	<b>4 8FT SECTIONS</b>
<b>NUMBER OF SECTION</b>	<b>4</b>
<b>TOWER SECTIONS</b>	<b>A, B, C, D</b>
<b>LENGTH OF EACH SECTION</b>	<b>8 FT</b>
<b>MAXIMUM HEIGHT W/ MAST</b>	<b>24 FT</b>
<b>NESTED HEIGHT W/O MAST</b>	<b>9 FT</b>
<b>WIDTH OF UNIT</b>	<b>21 IN</b>
<b>RAISING SYSTEM</b>	<b>WORM GEAR WINCH</b>
<b>TYPE OF BASE</b>	<b>T</b>
<b>APPROXIMATE WEIGHT</b>	<b>64 LBS</b>
<b>MAXIMUM PAY LOAD</b>	<b>50 LBS</b>
<b>MAXIMUM WIND LOAD</b>	<b>5 SQ. FT.</b>
<b>MAXIMUM WIND</b>	<b>70 MPH</b>



Not drawn to scale.  
All Tower numbers are based on proper guyed installation conditions. See installation manual for directions.  
Aluma Tower Company, Inc. reserves the right to make changes at any time to information contained in this document.