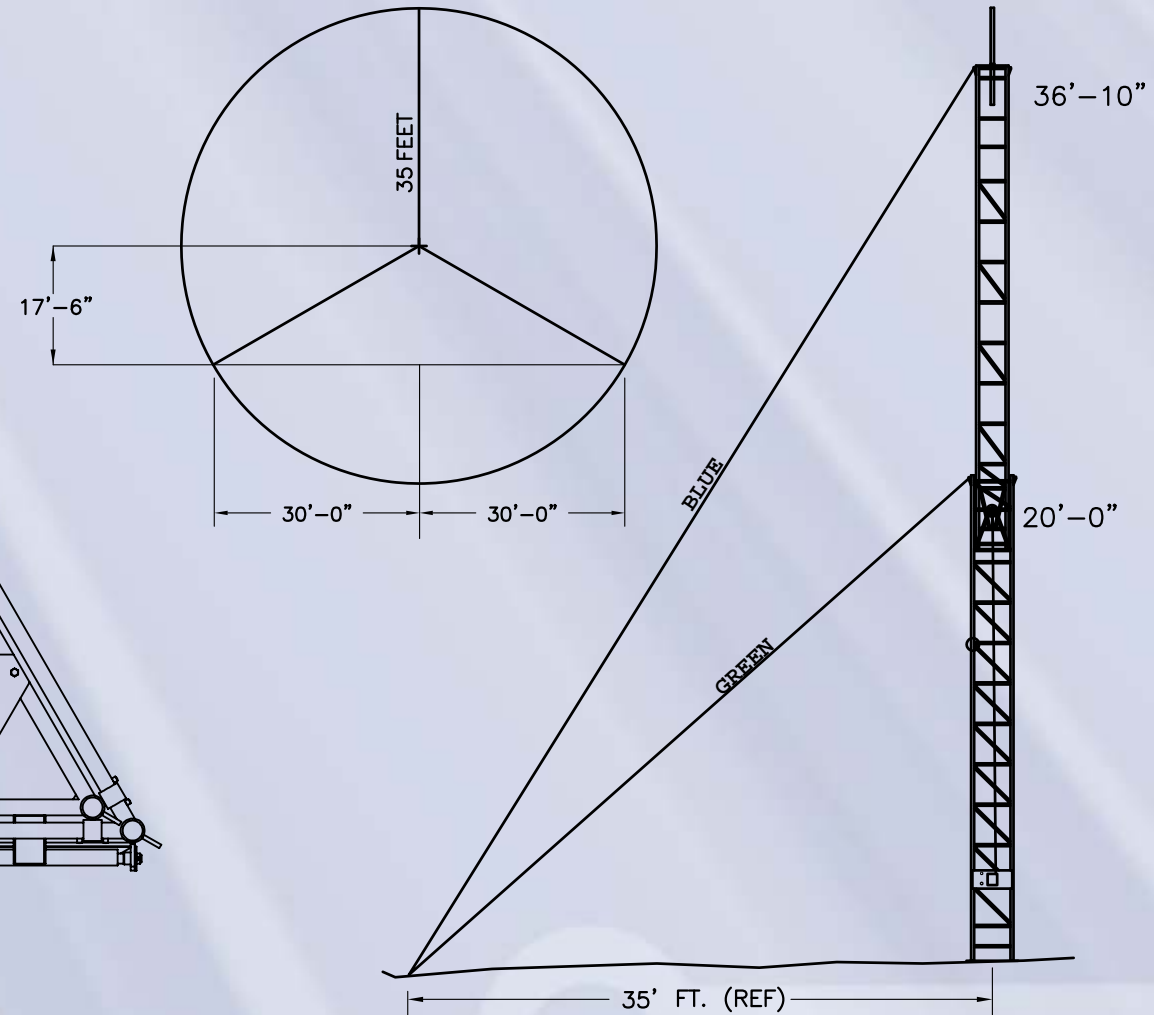
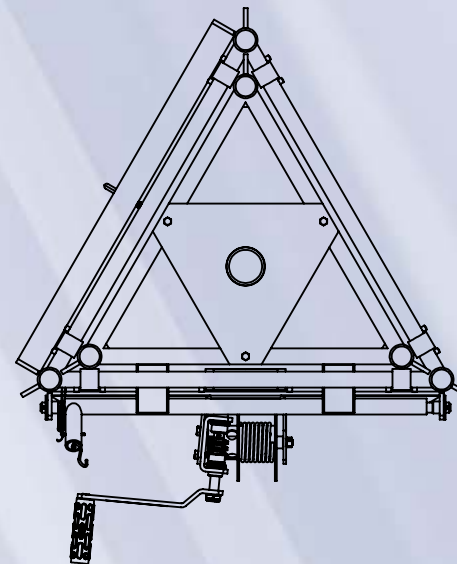
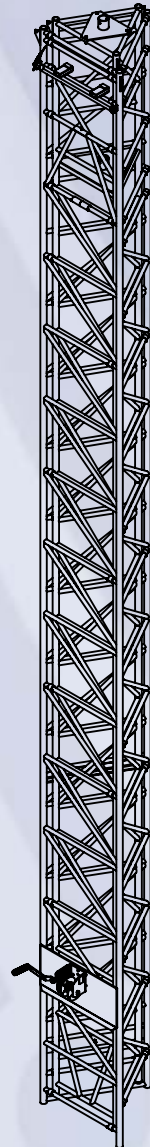


TOWER MODEL	T-40XXHD
TOWER CONSTRUCTION	2 20 FT SECTIONS
TOWER SECTIONS	2
NUMBER OF SECTION	D, E
LENGTH OF EACH SECTION	20 FT
MAXIMUM HEIGHT W/ MAST	40 FT
NESTED HEIGHT W/O MAST	20 FT 6 IN
WIDTH OF UNIT	26 IN
RAISING SYSTEM	WORM GEAR WINCH
TYPE OF BASE	T
APPROXIMATE WEIGHT	210 LBS
MAXIMUM PAY LOAD	300 LBS
MAXIMUM WIND LOAD	25 SQ. FT.
MAXIMUM WIND	70 MPH



Not drawn to scale.
All Tower numbers are based on proper guyed installation conditions. See installation manual for directions.
Aluma Tower Company, Inc. reserves the right to make changes at any time to information contained in this document.