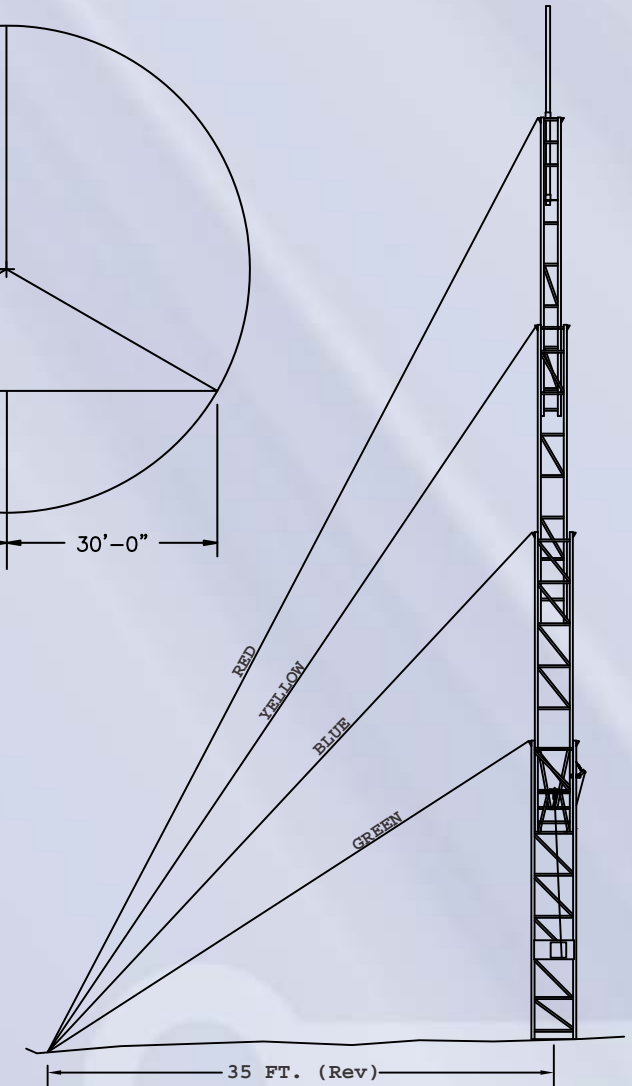
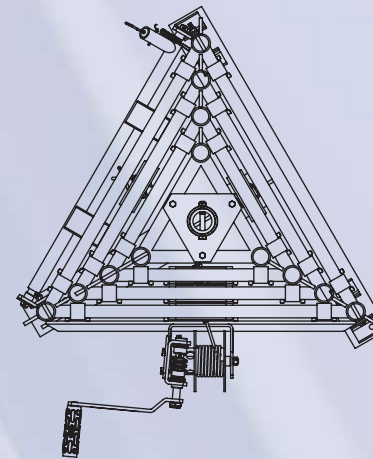
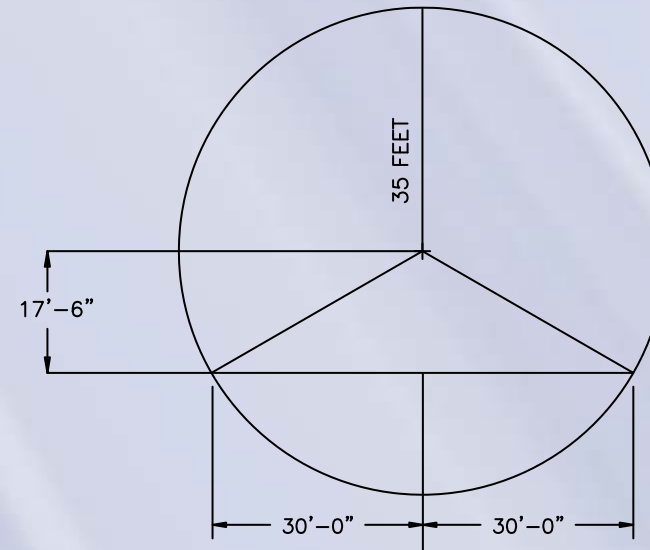
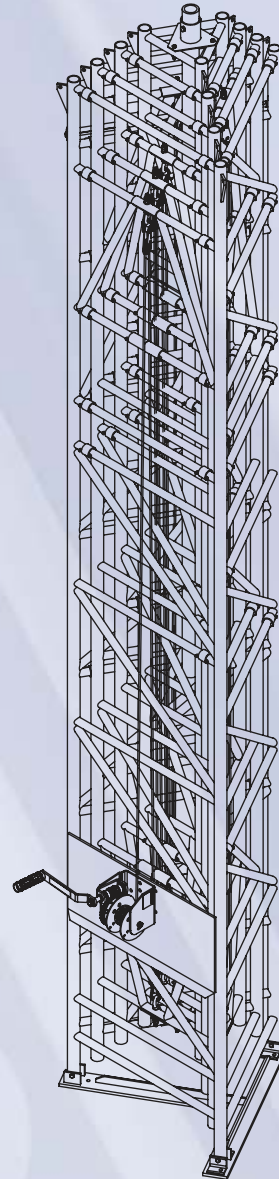


TOWER MODEL	T-45H
TOWER CONSTRUCTION	4 12 FT SECTIONS
NUMBER OF SECTION	4
TOWER SECTIONS	B, C, D, E
LENGTH OF EACH SECTION	12 FT
MAXIMUM HEIGHT W/ MAST	40 FT
NESTED HEIGHT W/O MAST	13 FT
WIDTH OF UNIT	26 IN
RAISING SYSTEM	WORM GEAR WINCH
TYPE OF BASE	T
APPROXIMATE WEIGHT	164 LBS
MAXIMUM PAY LOAD	125 LBS
MAXIMUM WIND LOAD	18 SQ. FT.
MAXIMUM WIND	70 MPH



Not drawn to scale.
All Tower numbers are based on proper guyed installation conditions. See installation manual for directions.
Aluma Tower Company, Inc. reserves the right to make changes at any time to information contained in this document.