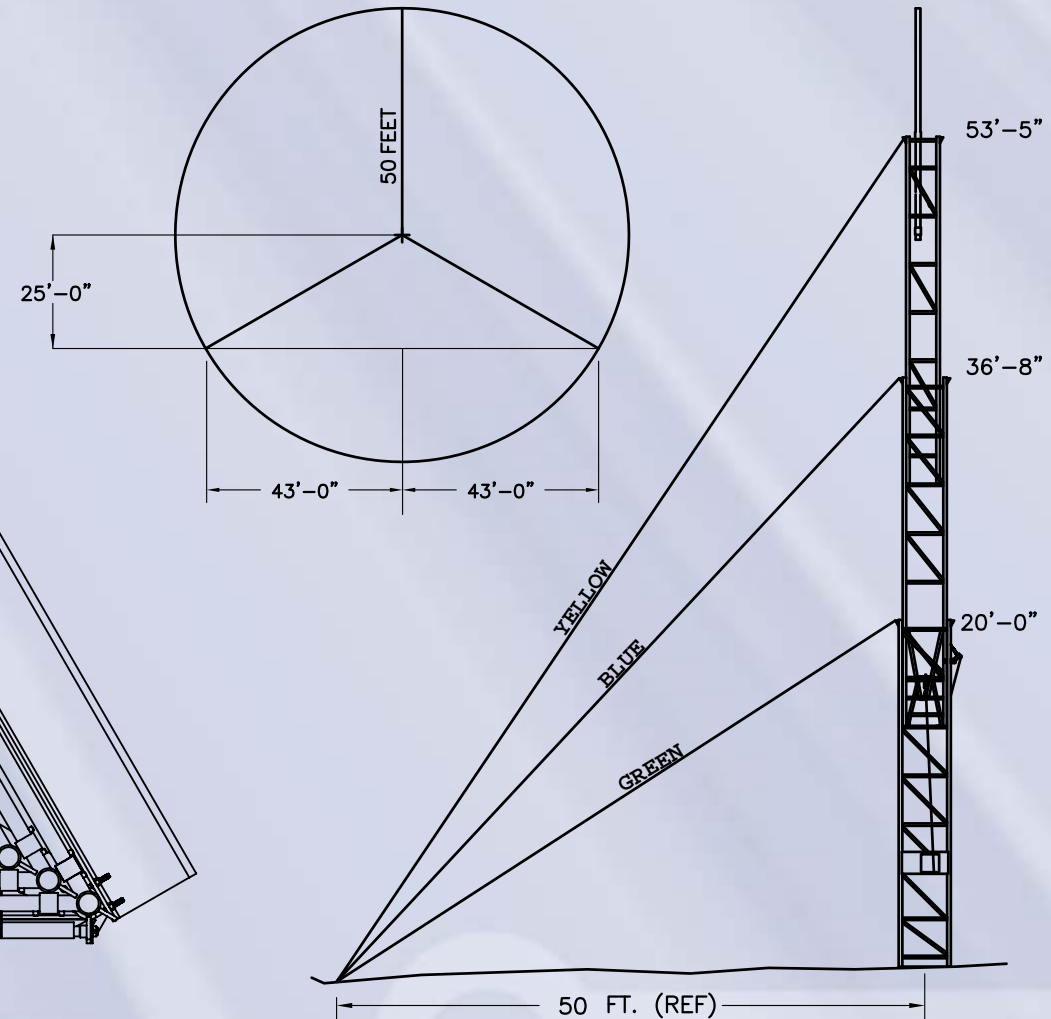
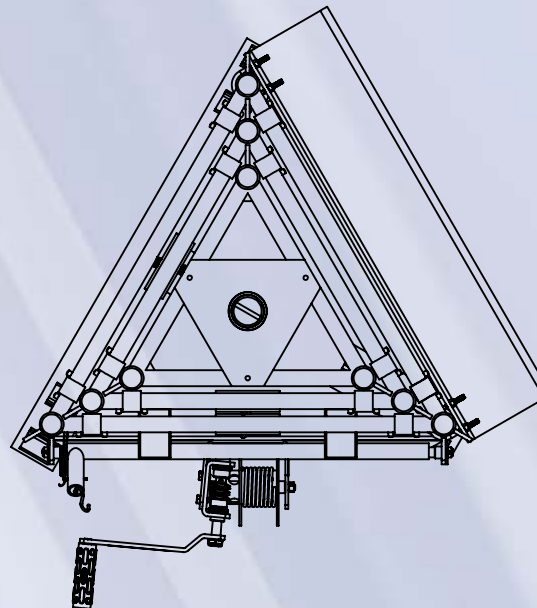
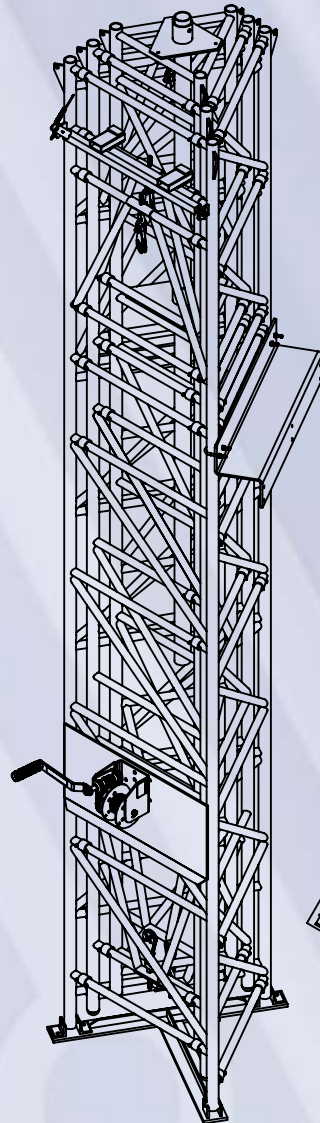


TOWER MODEL	T-60XHD
TOWER CONSTRUCTION	3 20 FT SECTIONS
NUMBER OF SECTION	3
TOWER SECTIONS	C, D, E
LENGTH OF EACH SECTION	20 FT
MAXIMUM HEIGHT W/ MAST	56 FT
NESTED HEIGHT W/O MAST	20 FT 9"
WIDTH OF UNIT	21 IN
RAISING SYSTEM	WORM GEAR WINCH
TYPE OF BASE	T
APPROXIMATE WEIGHT	255 LBS
MAXIMUM PAY LOAD	200 LBS
MAXIMUM WIND LOAD	23 SQ. FT.
MAXIMUM WIND	70 MPH



Not drawn to scale.
All Tower numbers are based on proper guyed installation conditions. See installation manual for directions.
Aluma Tower Company, Inc. reserves the right to make changes at any time to information contained in this document.