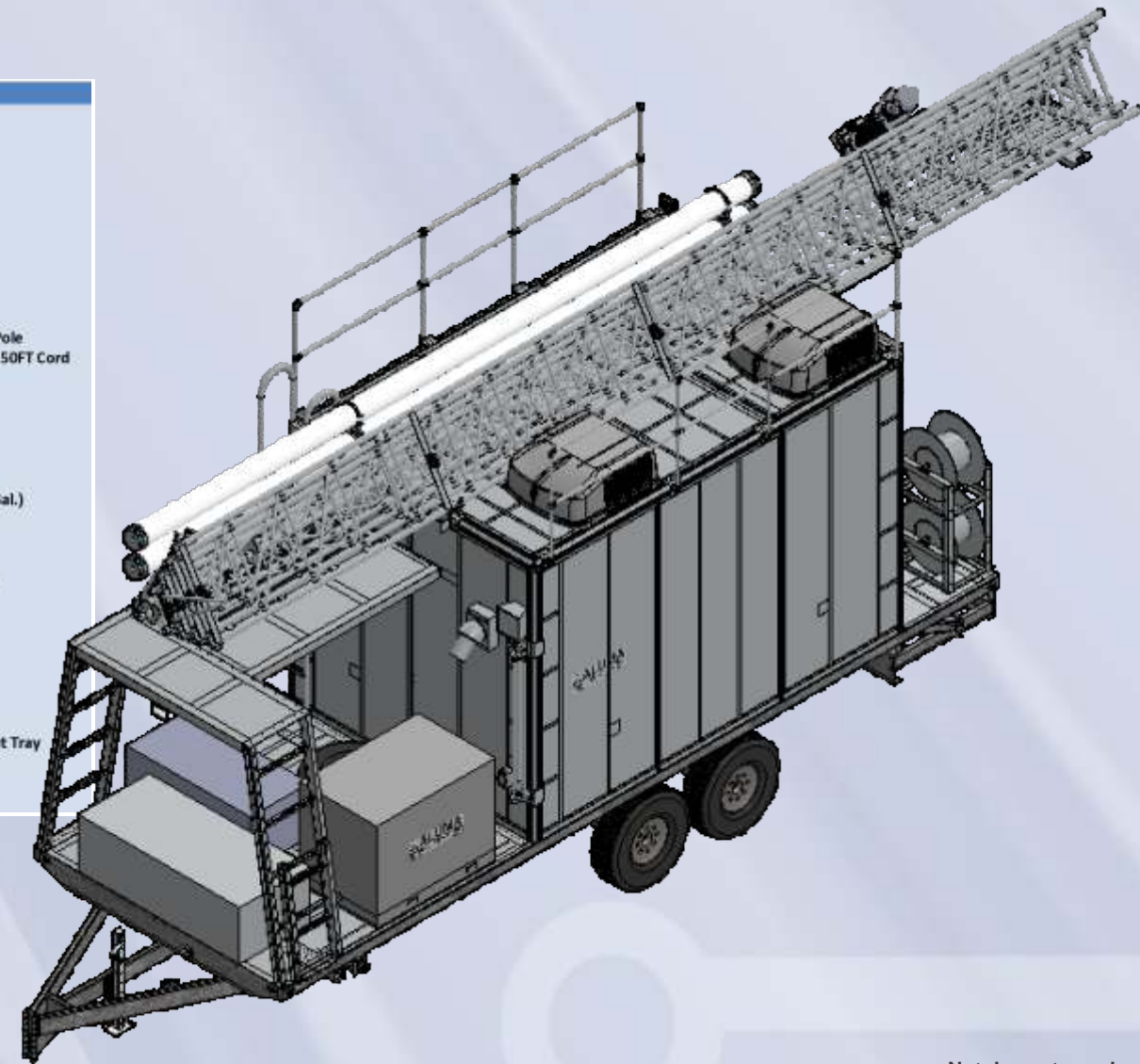


SPECIFICATIONS	S812
TOWER AVAILABLE WITH TRAILER UNIT	T-50XHD, T-50XXHD, T-75XHD, T-100H
ALUMINUM SHELTER SIZE	144IN L x 96IN W x 94IN H
ALUMINUM SHELTER WEIGHT	1350 LBS
TRAILER WIDTH OVERALL	100 1/2IN
TRAILER WIDTH, FRAME ONLY	96IN
TRAILER DECK HEIGHT	33 1/2IN
TRAILER LENGTH OFTALL (W/O COUPLER)	27FT7IN (331IN)
TRAILER GROSS VEHICLE WGHT (GVWR)	11,990 LBS (13,990 AVAILABLE)
TRAILER GROSS AXLE WGHT (GAWR)	6,000 LBS (7,000 AVAILABLE)
TRAILER APPROX. WEIGHT SHIPPED (VARIES WITH DIFFERENT ACCESSORIES)	9,500 LBS
NUMBER OF AXLES	2 (TANDEM)
AXLE CAPACITY RATING (EACH)	6,000 LBS (7,000 AVAILABLE)
COUPLER CHANNEL (POSITIONS/HOLES)	7 POS./8 HOLES
STANDARD COUPLER SIZE	2 5/16IN BALL, 14,000 LB CAP., 2 HOLES
BRAKES	4 WHEEL ELECTRIC BRAKES
TIRE SIZE (NOTE: ALL RADIAL TIRES!)	ST245/75R/16
TIRE LOAD RANGE	E (G AVAILABLE)
TIRE CAPACITY AND LOAD RATE	3000 LB
TIRE P.S.I.	65 PSI
WHEEL / RIM SIZE (DIA./WIDTH/BOLT PATTERN)	16IN / 6IN / 8 ON 6.5IN
SHELTER ON TRAILER HEIGHT	127 1/2IN
FINISHED HEIGHT, TOWER IN USAGE POSITION	146IN
OVERALL LENGTH WITH TOWER MOUNTED	33FT 1IN (397IN)
UID LABEL MIL-STD-130	Yes

ACCESSORIES AVAILABLE
Guy Kit Assembly
Anchor Kit
Dual Obstruction Light
Antenna Stand-off
12V DC Electric Winch
Electric Winch for tilting Tower 12V DC
12V DC Battery Pack
All Aluminum Storage Box
Spare Tire
A/C and Heat (Roof or Wall Mounted)
12V Work Lights
120V 500 Watt Floodlight With 5FT Telescoping Pole
120V 500 Watt Removable Floodlight w/ Tripod Base & 50FT Cord
All Aluminum Co-Ax Cable Reel
I/O Port Rostec
Telephone Inlet
Dual Cat5
20 Amp Twist Lock
5Kw to 20Kw Diesel Quiet Run Gen.
Custom All Aluminum Fuel Tank (25 Gal. to 150 Gal.)
Electronic Equipment Rack
Complete Grounding System
Automatic & Manual Transfer Switch
Shore-Power Cord w/ twist Lock Connection
Dri-Dek Flooring
All Aluminum Work Station Cabinets
Bunk Bed
Roof Access Ladder
Electric Tongue Jack
Exterior GFI Receptacle
Solar Battery Charge
Aluminum Underbody Dual Battery Box w/ Slide out Tray
Cable Ring
22FT Little Giant Ladder
Interior Co-Ax Cable Tray



Not drawn to scale.

Aluma Tower Company, Inc. reserves the right to make changes at any time to information contained in this document.